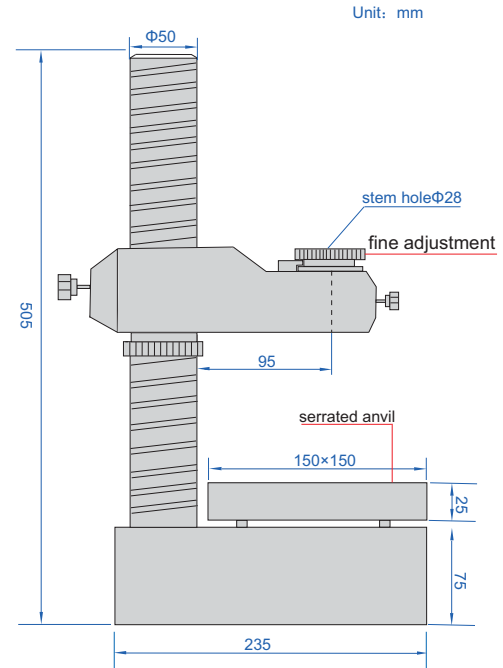


HEAVY DUTY DIAL INDICATOR STAND



6877-300

- Vertical travel of holder: 300mm
- Holder fine adjustment range: entire stroke
- Indicator fine adjustent range: 5mm
- Optional accessory: high precision digital indicators(code **2140-6**, **2140-6WL**), gage blocks (**4101** series, for zero setting)



Code	Applicable holding stem	Anvil
6877-300	Φ 28mm	steel (hardness HRC60±2), serrated, flatness 2μm